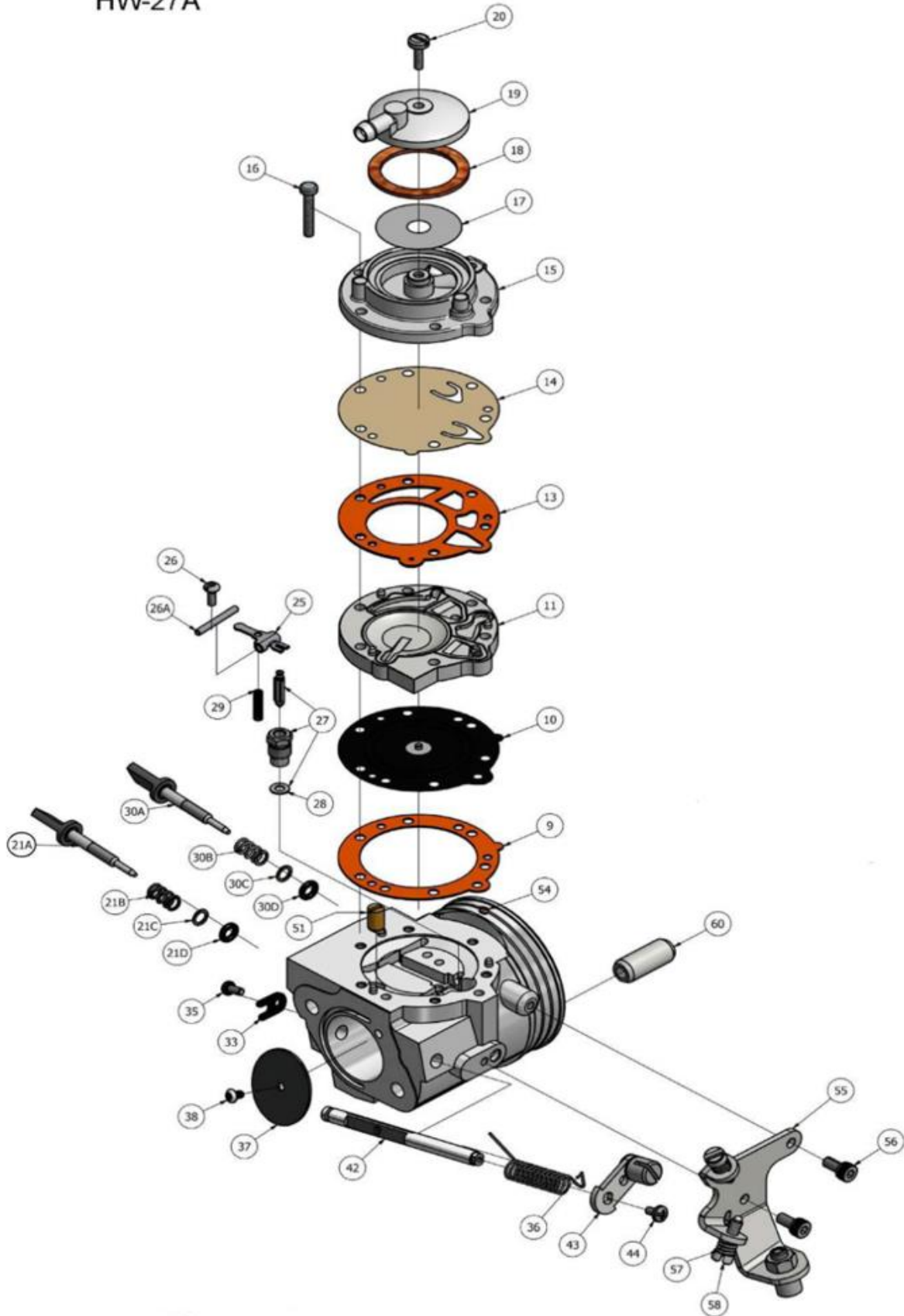


# HW-27A Spare Parts Prices

HW-27A



ITEM	PART NO:	DESCRIPTION	Retail Price \$
9	+ * 16-B406	DIAPHRAGM GASKET (ORANGE)	0.80
10	+ * 237-600	DIAPHRAGM	4.91
11	91A-275	DIAPHRAGM COVER	7.07
13	+ * 16-B407	FUEL PUMP GASKET (ORANGE)	2.47
14	+ * 237-162	FUEL PUMP DIAPHRAGM	4.67
15	141-89	FUEL PUMP BODY	9.67
16	15C-51	FUEL PUMP BODY SCREW	0.91
17	95 - 170	FUEL STRAINER SCREEN	0.92
18	+ * 16-B205	FUEL STRAINER COVER GASKET	0.66
19	91-A251	FUEL STRAINER COVER	3.04
20	15-B313	FUEL STRAINER COVER RETAINING SCREW	0.71
21A	43-1029	IDLE MIXTURE SCREW	10.16
21B	24-B449	IDLE MIXTURE SCREW SPRING	0.59
21C	78A-256	IDLE MIXTURE SCREW WASHER	0.76
21D	44-361	IDLE MIXTURE SCREW PACKING	1.04
25	* 155A-27	INLET CONTROL LEVER	0.80
26	15-B329	FULCRUM LEVER SCREW	0.69
26A	32-79	FULCRUM LEVER PIN	0.59
27	* 233-721P	INLET NEEDLE & SEAT SET	15.45
28	16-B199	INLET SEAT GASKET	0.53
29	24-B299	INLET TENSION SPRING	1.58
30A	43-1030	HIGH SPEED MIXTURE SCREW	10.16
30B	24B-449	HIGH SPEED MIXTURE SCREW SPRING	0.59
30C	78A256	HIGH SPEED MIXTURE SCREW WASHER	0.76
30D	44-361	HIGH SPEED MIXTURE SCREW PACKING	1.04
33	29-224	THROTTLE SHAFT CLIP	0.98
35	15-C19	THROTTLE SHAFT CLIP RETAINING SCREW	0.87
36	24-B381	THROTTLE RETURN SPRING	0.91
37	14-A114	THROTTLE SHUTTER	19.11
38	15-C20	THROTTLE SHUTTER SCREW	0.87
42	13-B216	THROTTLE SHAFT	15.50
43	12-1220	THROTTLE LEVER ASSEMBLY	17.20
44	15-C52	THROTTLE LEVER RETAINING SCREW	0.84
51	363-318	IDLE NOZZLE	10.63
54	80-160	MAIN PLUG	0.99
55	136-562	CABLE BRACKET	20.18
56	15-C67	CABLE BRACKET RETAINING SCREW	0.87
57	15-C9	LIMITER SCREW	2.21
58	24-B131	LIMITER SPRING	0.46
60	81-377	CARBURETTOR MOUNTING NUT	3.00
62	24-C-334	CABLE RETURN SPRING	3.85
	HW-27A	Carburettor	289.95
	RK-6HW	REPAIR KIT	32.95
	DG-3HW	DIAPHRAGM & GASKET (STANDARD)	14.95
* INDICATES CONTENTS OF REPAIR KIT			
* + INDICATES CONTENTS OF DIAPHRAGM & GASKET SET			